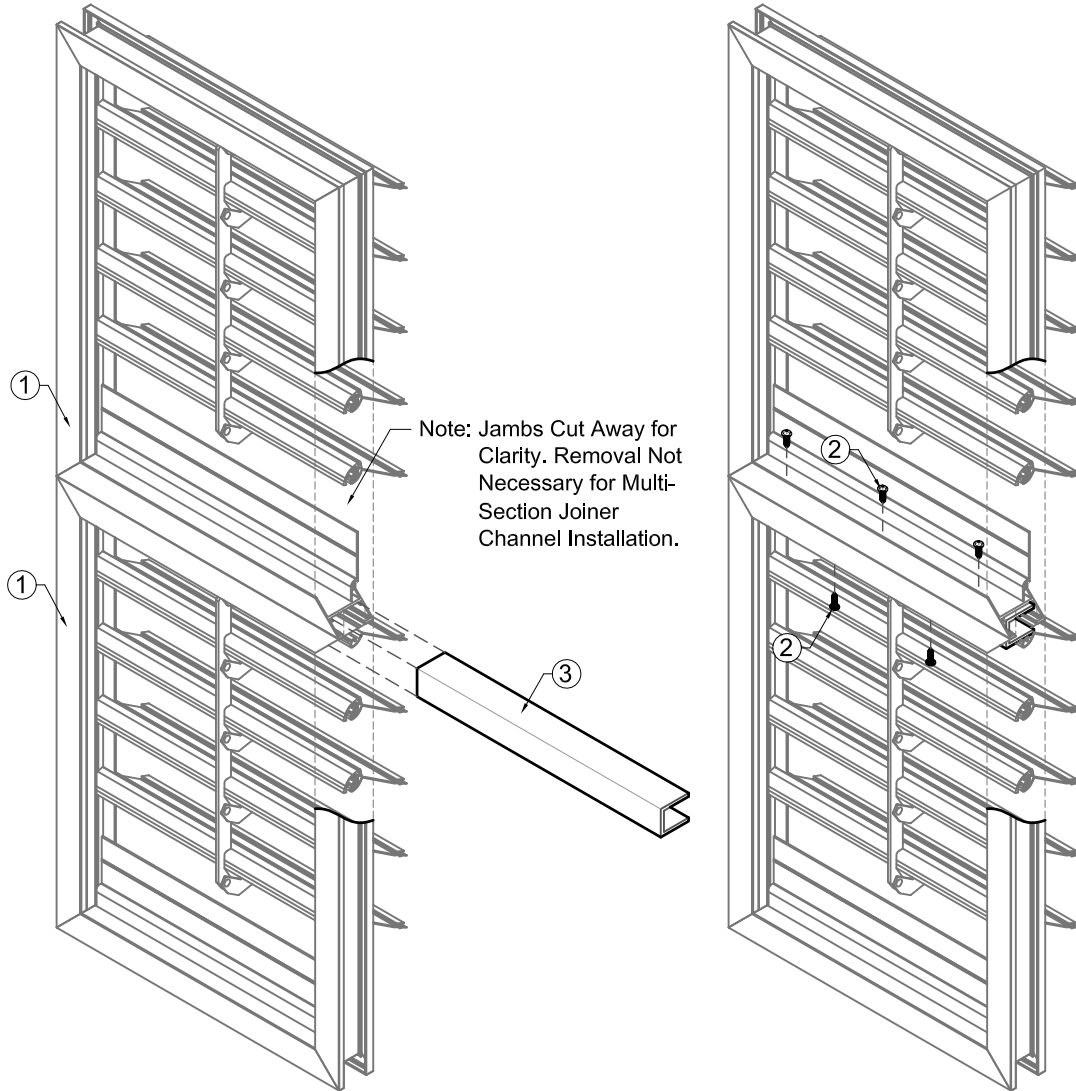


Multi-Section Connections

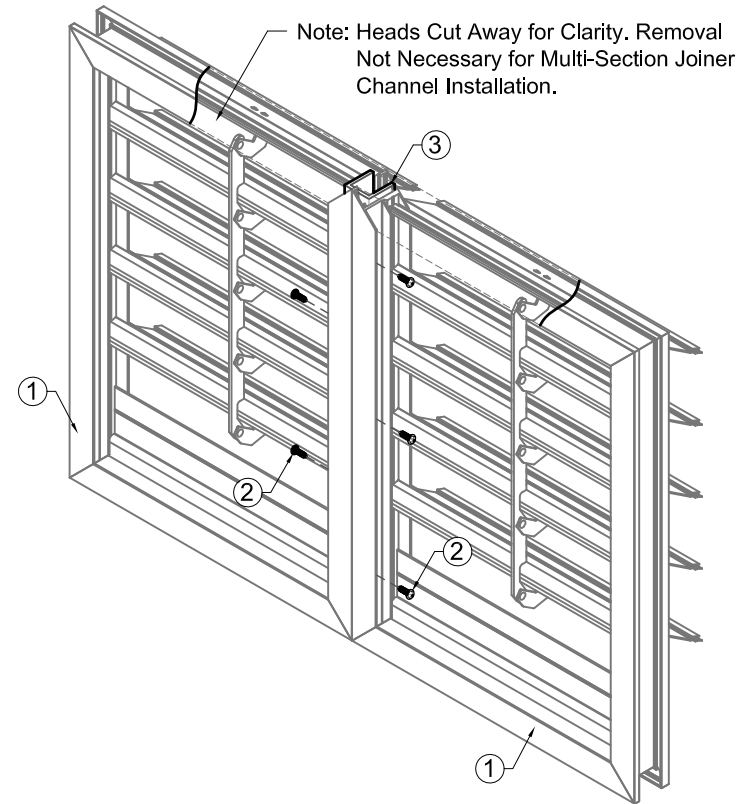
BILL OF MATERIALS:

ITEM	QTY	PART NO. - DESCRIPTION
1	Varies	Back Draft Damper
2	Varies	#10 Tek Screw, 1" Long
3	Varies	UNE-169 Multi-Section Joiner

Vertical Multi-Section



Horizontal Multi-Section



Note: Place screws (item 2) 3" max. from ends, 10" max. o.c., (min. 3 screws per item 3)